

KITCHEN HOODS

A wide range of modular designed cooking hoods, vapour exhaust hoods, and special hoods for counter service are available now for commercial kitchens, restaurants, and high-tech companies' dining halls.

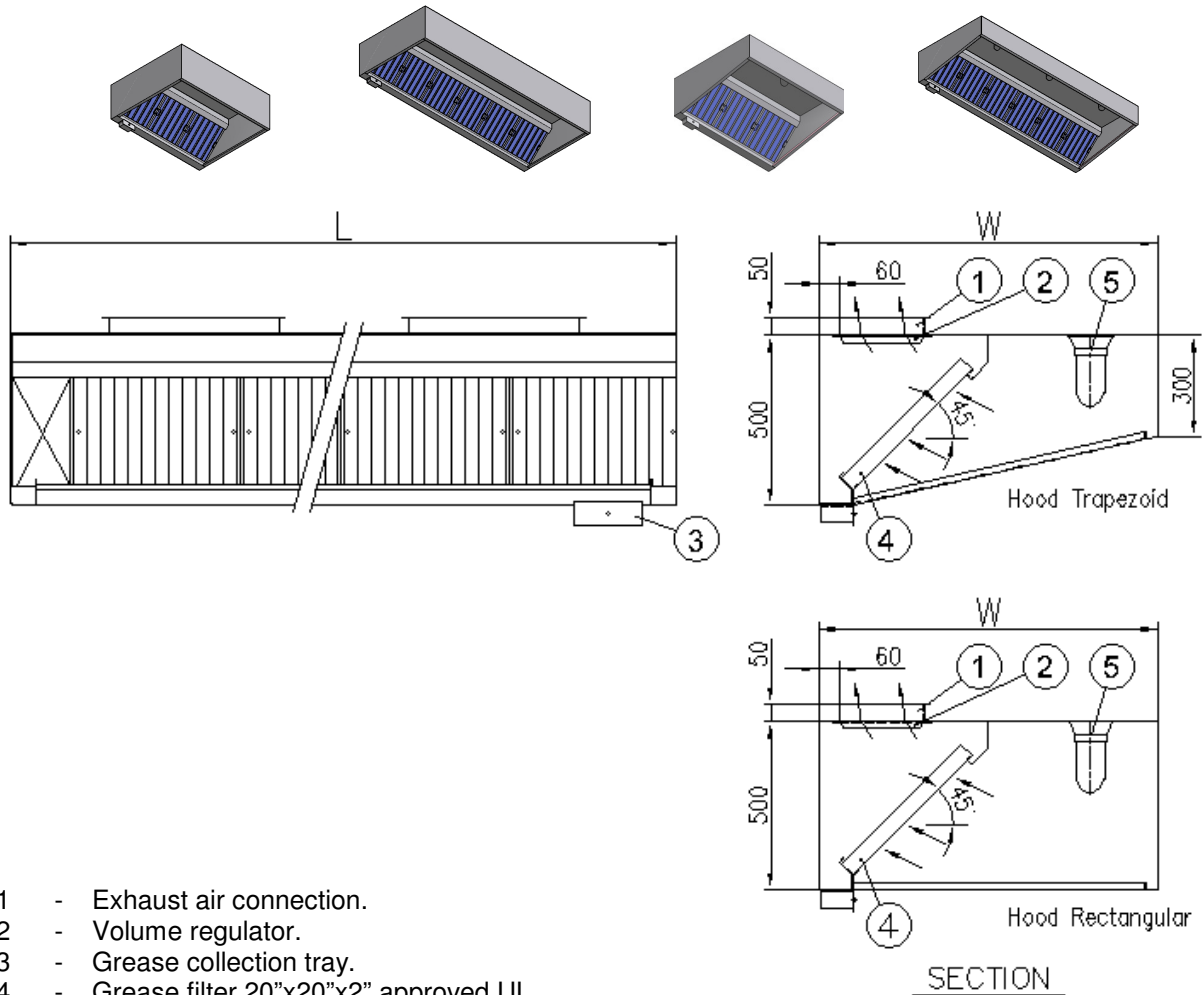
All hoods are designed and manufactured with accordance to IS 1001/6 and NFPA 96 standards, and made of 304 stainless steel in a welded and polished construction.

Grease filters made of high-gloss polished stainless steel, of the labyrinth type, and having an efficiency of at least 90%, conforms to 'UL' testing requirements.

Hoods Type

	Type - WSG-100 . Most common hood in rectangular or trapezoid section. (Page2). Can also be mounted in sections to form an island hood. (Page 3).
	Type - WSG-200 . A low hood, wall mounted, back plate of hood installed directly on table. Suitable for deep-fryers, griddles etc. (Page 4).
	Type - ECO . An air-jets hood, economic in its air volume requirements, due to air jets blown from internal 3 sides into the face of the hood, creating air curtains which saves in extraction volume. (Page 5, 6).
	Type - ECO-A . Same as above but with front perforated panels for a treated-air supply into the kitchen area. (Page 7, 8).
	Type - DECO-GLASS . An air-saving decorative hood with a glass plate at a low level above service counter and polished extraction tubes also supporting the glass plate. (Page 9).
	Type - WSG-300 . A box hood mounted over a dishwasher to extract steam and vapours. (Page 10).
	CUSTOM DESIGNED HOODS . Specially designed hoods, mostly mounted over the service counter. Normally created after consulting client and architect. (Page 11).

Hoods WSG-100
 Wall mounted Hoods



- 1 - Exhaust air connection.
- 2 - Volume regulator.
- 3 - Grease collection tray.
- 4 - Grease filter 20"x20"x2" approved UL.
- 5 - Light fitting IP-54.

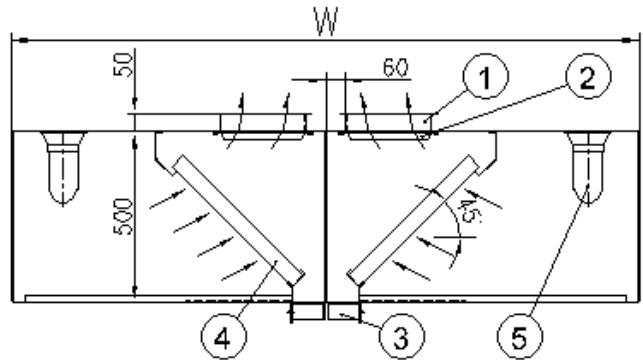
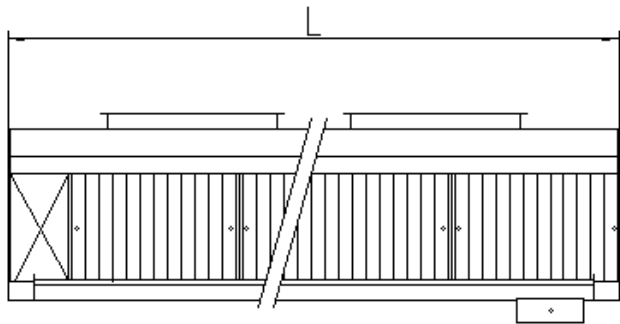
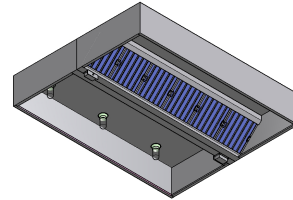
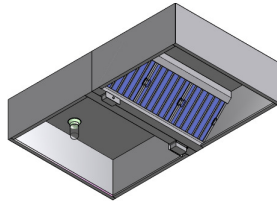
DIMENSIONS

	mm
Length	900-3200
Width	700...1700

Note: For number and size of exhaust air connection, and any additional information see on attached quotation drawing.

Hoods WSG-100

Island Hoods



- 1 - Exhaust air connection.
- 2 - Volume regulator.
- 3 - Grease collection tray.
- 4 - Grease filter 20"x20"x2" approved UL.
- 5 - Light fitting IP-54.

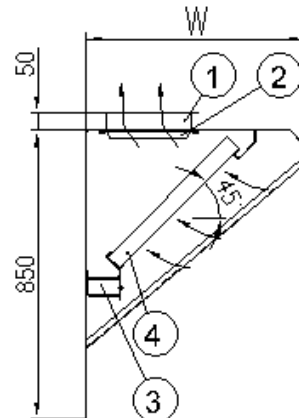
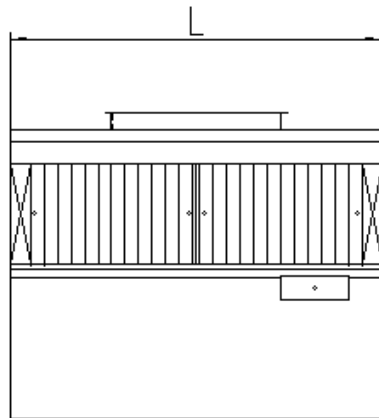
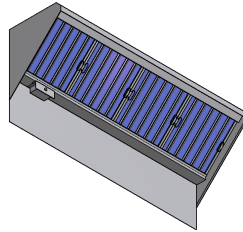
DIMENSIONS

	mm
Length	900...3200
Width	1400...3400

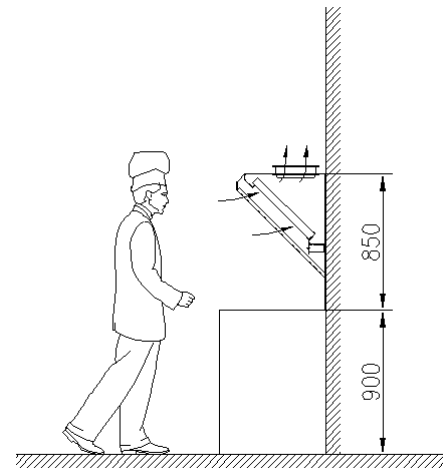
Note: For number and size of exhaust air connection, and any additional information see on attached quotation drawing.

Hoods WSG-200

Wall mounted Hoods



- 1 - Exhaust air connection.
- 2 - Volume regulator.
- 3 - Grease collection tray.
- 4 - Grease filter 20"x20"x2" approved UL.



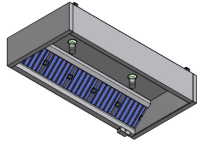
DIMENSIONS

	mm
Length	900...3200
Width	550...650

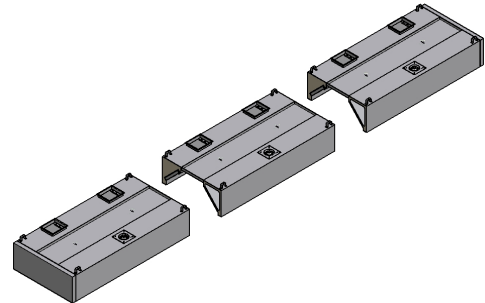
Note: For number and size of exhaust air connection, and any additional information see on attached quotation drawing.

Hoods ECO

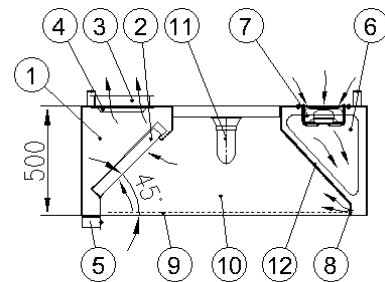
Wall mounted Hoods



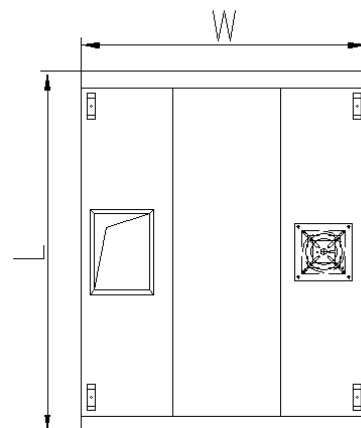
Single section hood



3 sections hood



- 1 - Exhaust plenum.
- 2 - Grease filter 16"x20"x2" approved UL.
- 3 - Exhaust air connection.
- 4 - Volume regulator.
- 5 - Grease collection tray.
- 6 - Air jet's supply air plenum.
- 7 - Air jet fan.
- 8 - Longitude air jet nozzle.
- 9 - Width air jet nozzle.
- 10 - Width air jet supply plenum.
- 11 - Light fitting IP-54.
- 12 - Thermal insulation (optional).



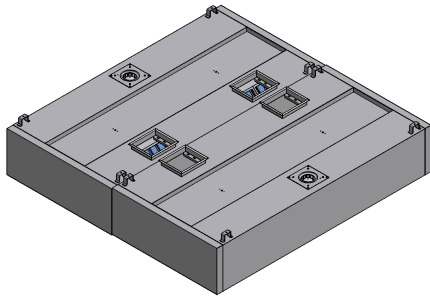
DIMENSIONS

	mm
Length per section	1100...3200
Width	1100...1600

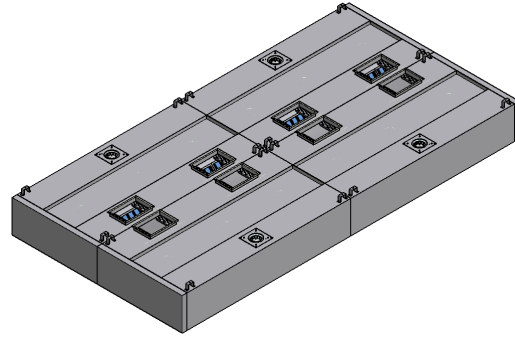
Note: For number and size of exhaust air connection, and any additional information see on attached quotation drawing.

Hoods ECO

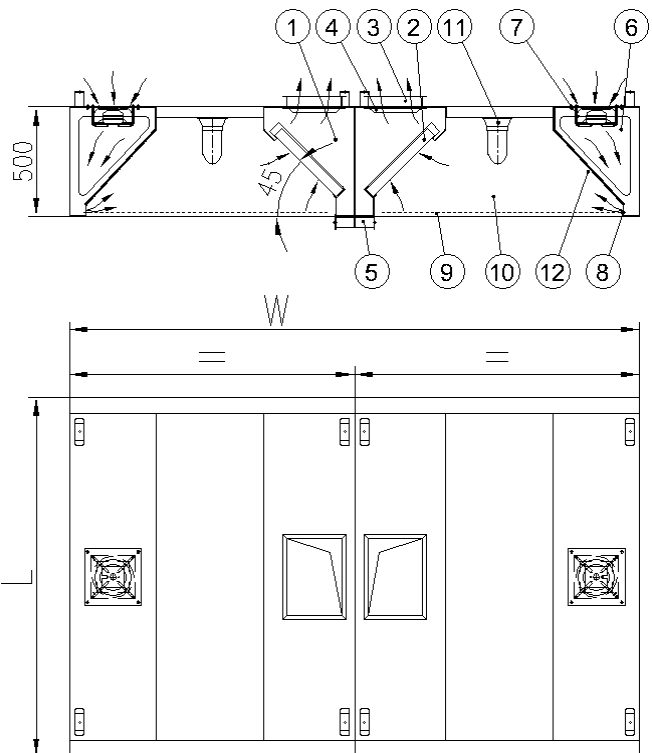
Island Hoods



2 sections hood



4 sections hood



- 1 - Exhaust plenum.
- 2 - Grease filter 16"x20"x2" approved UL.
- 3 - Exhaust air connection.
- 4 - Volume regulator.
- 5 - Grease collection tray.
- 6 - Air jet's supply air plenum.
- 7 - Air jet fan.
- 8 - Longitude air jet nozzle.
- 9 - Width air jet nozzle.
- 10 - Width air jet supply plenum.
- 11 - Light fitting IP-54.
- 12 - Thermal insulation (optional).

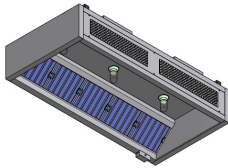
DIMENSIONS

	mm
Length per section	1100...3200
Width per section	1100...1600

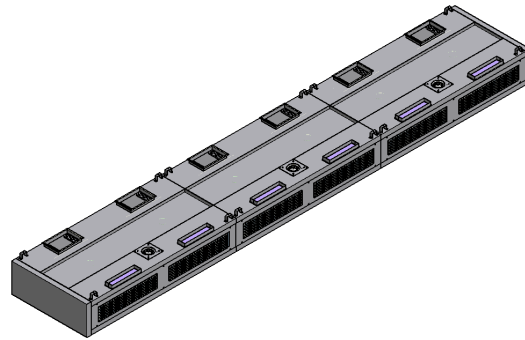
Note: For number and size of exhaust air connection, and any additional information see on attached quotation drawing.

Hoods ECO

(With external treated air supply)
Wall mounted hoods



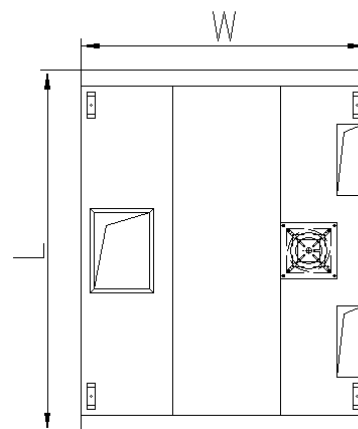
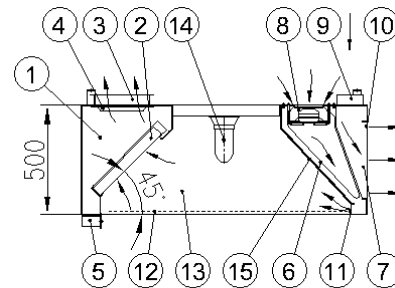
Single section hood



3 sections hood



- 1 - Exhaust plenum.
- 2 - Grease filter 16"x20"x2" approved UL.
- 3 - Exhaust air connection.
- 4 - Volume regulator.
- 5 - Grease collection tray.
- 6 - Air jet's supply air plenum.
- 7 - External treated air supply plenum.
- 8 - Air jet fan.
- 9 - Supply air connection.
- 10 - Perforated panel for treated air supply.
- 11 - Longitude air jet nozzle.
- 12 - Width air jet nozzle.
- 13 - Width air jet supply plenum.
- 14 - Light fitting IP-54.
- 15 - Thermal insulation (optional).



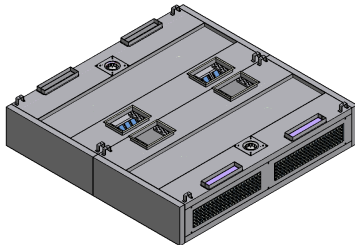
DIMENSIONS

	mm
Length per section	1100...3200
Width	1100...1600

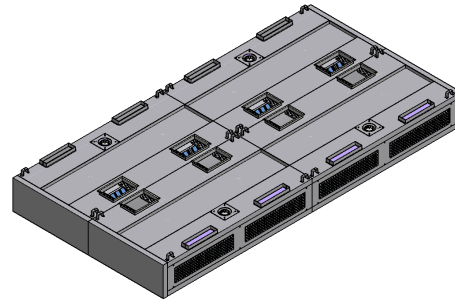
Note: For number and size of exhaust air connection, and any additional information see on attached quotation drawing.

Hoods ECO

(With external treated air supply)
 Island Hoods

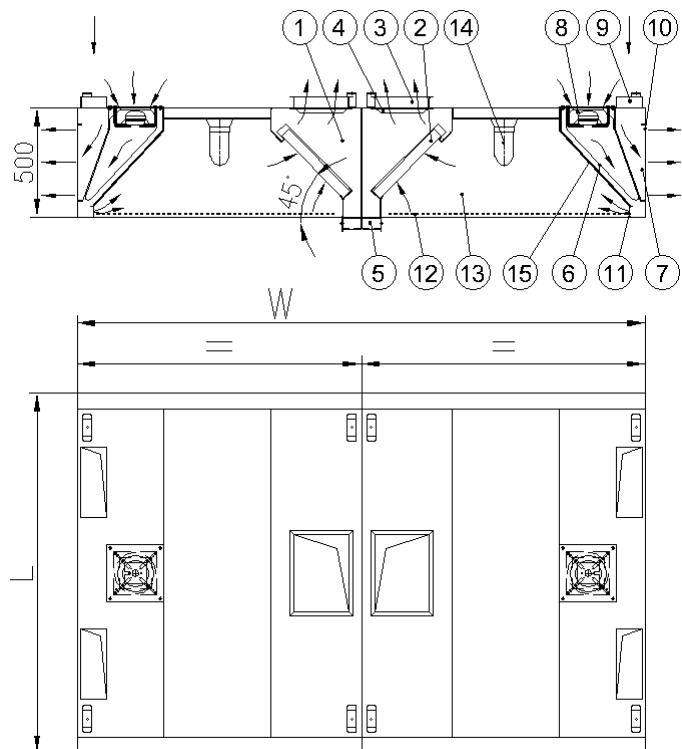


2 sections hood



4 sections hood

- 1 - Exhaust plenum.
- 2 - Grease filter 16"x20"x2" approved UL.
- 3 - Exhaust air connection.
- 4 - Volume regulator.
- 5 - Grease collection tray.
- 6 - Air jet's supply air plenum.
- 7 - External treated air supply plenum.
- 8 - Air jet fan.
- 9 - Supply air connection.
- 10 - Perforated panel for treated air supply.
- 11 - Longitude air jet nozzle.
- 12 - Width air jet nozzle.
- 13 - Width air jet supply plenum.
- 14 - Light fitting IP-54.
- 15 - Thermal insulation (optional).

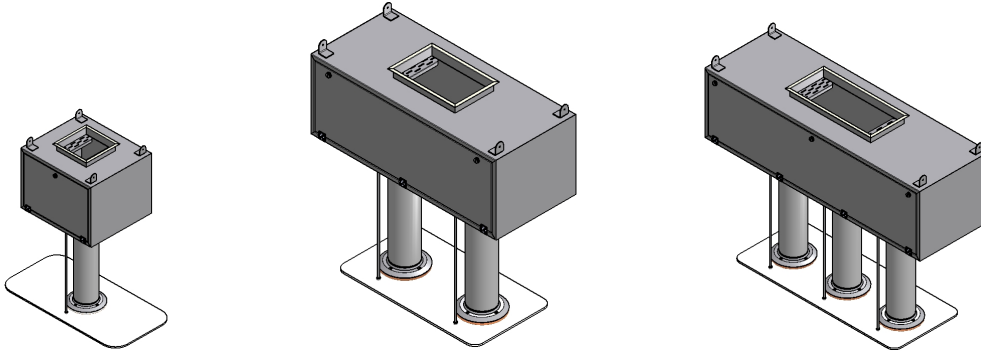


DIMENSIONS

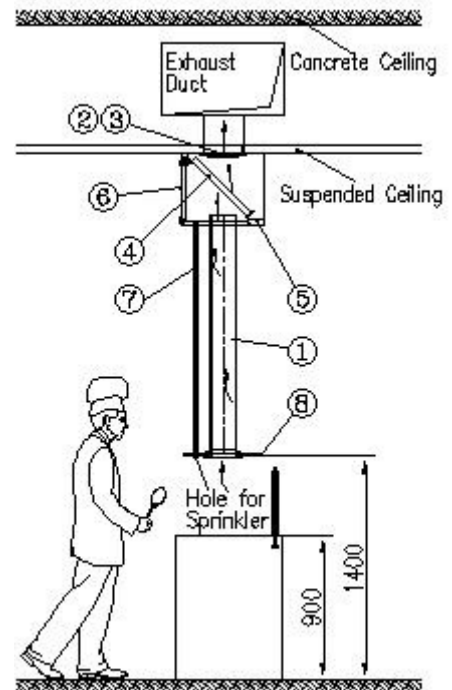
	mm
Length per section	1100...3200
Width per section	1100...1600

Note: For number and size of exhaust air connection, and any additional information see on attached quotation drawing.

Glass Hoods
 DECO-GLASS Type



- 1 - Intake pipe.
- 2 - Exhaust air connection.
- 3 - Volume regulator.
- 4 - Grease filter 20"x20"x2" approved UL.
- 5 - Grease collection tray.
- 6 - Access door.
- 7 - Integral fire extinguishing.
- 8 - Tempered glass plate.

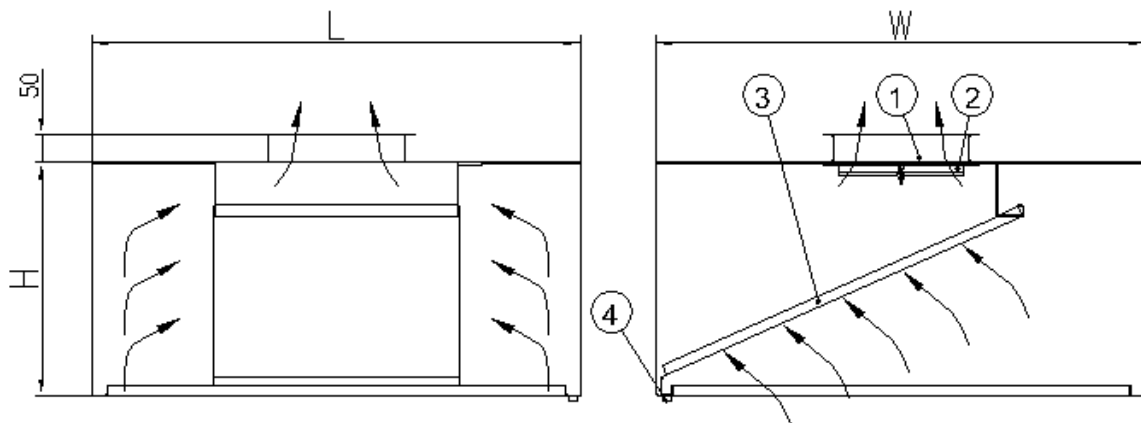
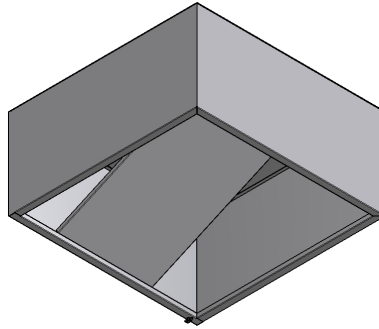


DIMENSIONS OF TEMPERED GLASS PLATE

	mm
Length	700...3200
Width	500...650

Note: For number and size of exhaust air connection, and any additional information see on attached quotation drawing.

Hoods WSG-300
 Dishwashing



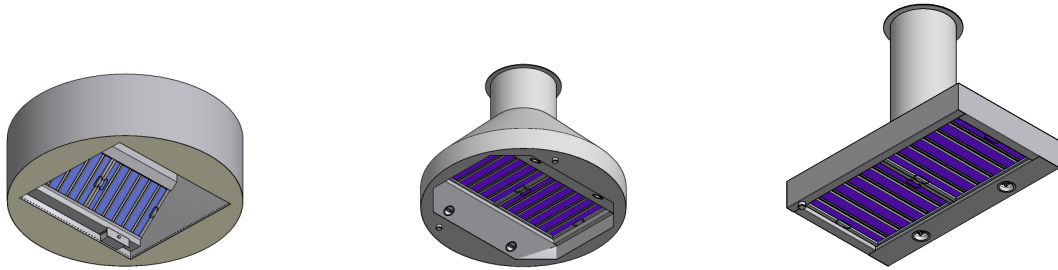
- 1 - Exhaust air connection.
- 2 - Volume regulator.
- 3 - Internal condensation plate.
- 4 - Drain plug.

DIMENSIONS

	mm
Length	800-3200
Width	800...1700
Height	430...500

Note: For number and size of exhaust air connection, and any additional information see on attached quotation drawing.

Custom designed Hoods



- 1 - Exhaust air connection.
- 2 - Volume regulator.
- 3 - Grease collection tray.
- 4 - Grease filter approved UL.
- 5 - Light fitting IP-54.

